

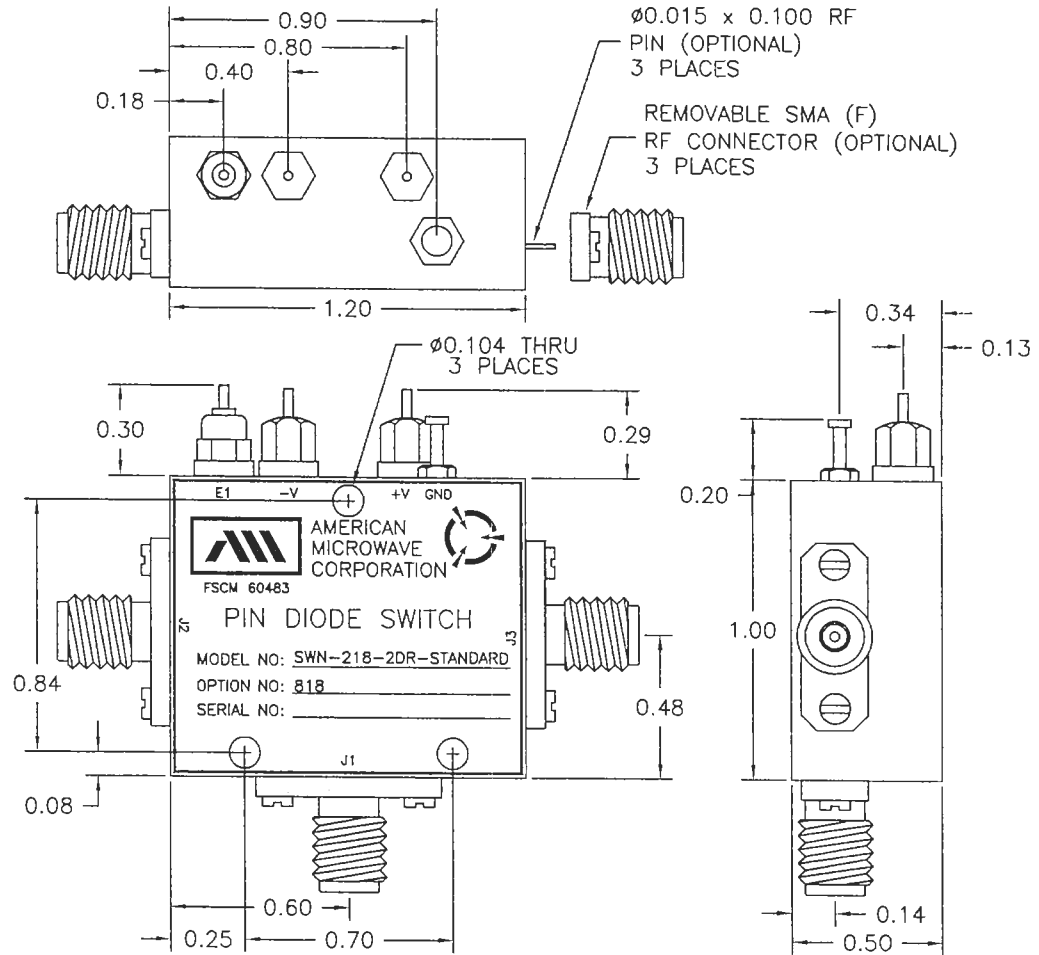
DESCRIPTION:

AMC MODEL SWN-218-2DR-STANDARD OPTION 818 IS A SINGLE POLE TWO THROW, REFLECTIVE SWITCH MODULE OPTIMIZED FOR A FREQUENCY RANGE OF 8 TO 18 GHZ. IT HAS VERY LOW INSERTION LOSS, HIGH ISOLATION, AND AN INTEGRAL TTL DRIVER, DESIGNED FOR BROAD BAND OPERATIONS.

REVISIONS				
ZONE	REV.	DESCRIPTION	DATE	APPROVED
		- ORIGINAL RELEASE JOB# 404059-1	4/28/04	

SPECIFICATIONS:

- FREQUENCY: 8 GHz TO 18 GHz
- INSERTION LOSS: 2.5 dB MAX
- ISOLATION: 8 GHz TO 18 GHz: 70db
- VSWR: REFLECTIVE IN/OUT: 2.0:1
- SPEED: RISE: 10ns TYPICAL, 15ns MAX.
FALL: 10ns TYPICAL, 15ns MAX.
DELAY ON: 75ns TYPICAL, 100ns MAX.
DELAY OFF: 75ns TYPICAL, 100ns MAX.
- POWER INPUT: (CW)+20dBm
- SURVIVAL POWER: 1 WATT CW, 10 WATTS PEAK 1 usec
- CONTROL: TTL LOGIC "0"= J1-J2 ON "1"= J1-J3 ON
- POWER SUPPLY: +5V @ 100 mA MAX.
-5V @ 75 mA MAX.
- CONNECTORS: RF: SMA FEMALE
CONTROL: SMC CONNECTOR
- SIZE: 1.20" (L) x 1.00" (W) x 0.50" (H)
- WEIGHT: 1.5 OUNCE TYPICAL



ENVIRONMENTAL RATINGS:

- TEMPERATURE: -55°C TO +85°C (OPERATING)
-65°C TO +125°C (STORAGE)
- HUMIDITY: MIL-STD-202F, METHOD 103B COND. B
- SHOCK: MIL-STD-202F, METHOD 213B COND. B
- VIBRATION: MIL-STD-202F, METHOD 204D COND. B
- ALTITUDE: MIL-STD-202F, METHOD 105C COND. B
- TEMPERATURE CYCLE: MIL-STD-202F, METHOD 107D COND. A

NOTE: SPECIFICATIONS WILL VARY OVER OPERATING TEMPERATURE
NOTE: THE ABOVE SPECIFICATIONS ARE SUBJECT TO CHANGE OR REVISION

ALL DIMENSIONS ARE IN INCHES
TOLERANCES:
X.XX ±0.020
X.XXX ±0.010

AMERICAN MICROWAVE CORPORATION

7311-G GROVE ROAD
FREDERICK, MARYLAND 21704 USA
TEL: 301-662-4700 FAX: 301-662-4938
WEBSITE: www.americanmicrowavecorp.com
E-MAIL: sales@americanmicrowavecorp.com
ISO 9001:2000 CERTIFIED



APPROVALS		DATE	TITLE			REV.
DRAWN	<i>JKM</i>	4/28/04	PRODUCT FEATURE SWN-218-2DR-STANDARD OPTION: 818 8 TO 18 GHz SINGLE POLE TWO THROW SWITCH			-
REDRAWN	<i>GDJ</i>	8/17/04	SIZE	FSCM NO.	DWG NO.	
ISSUED	<i>LA</i>	8/24/04	A	60483	100-6979	
			SCALE	N:S	SHEET	1 OF 3